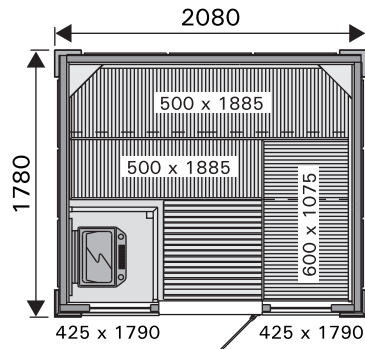


RUBIC

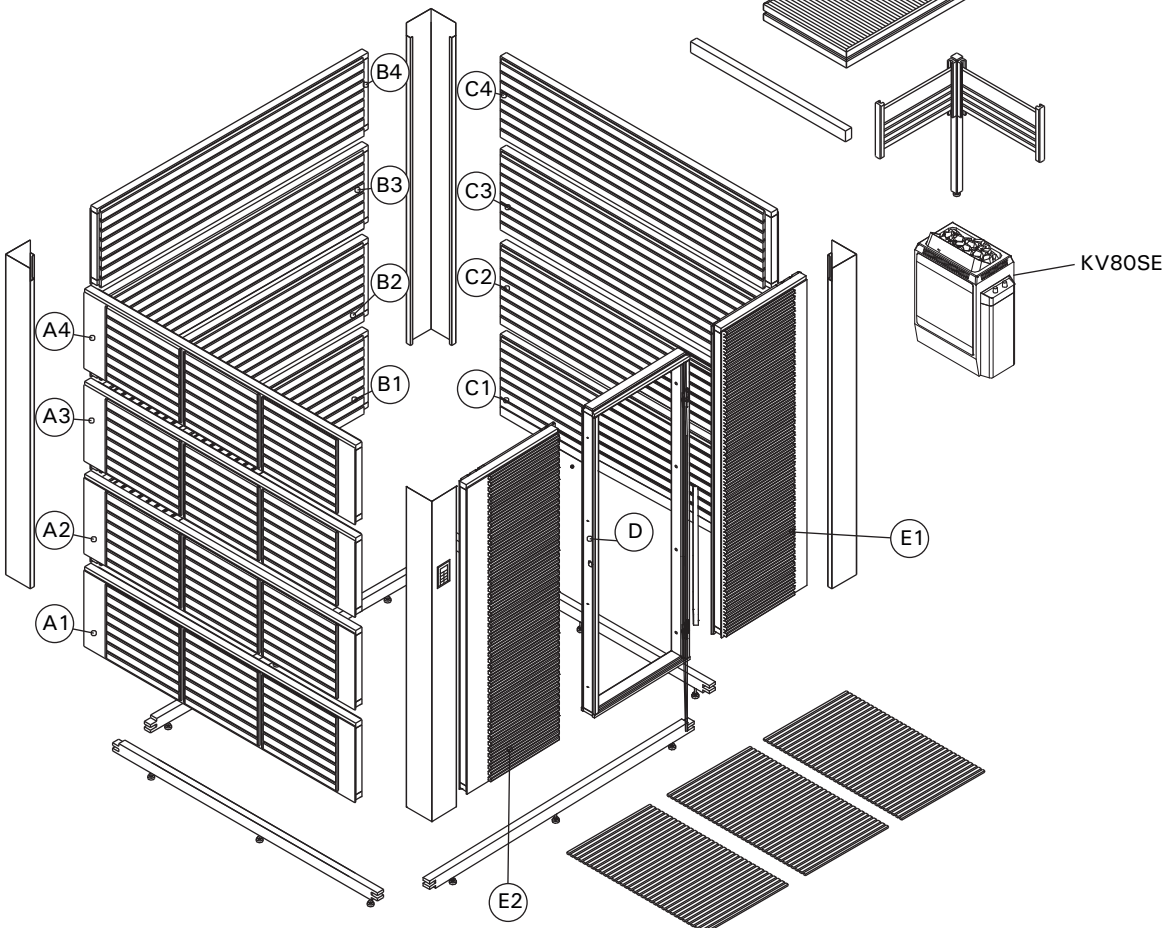
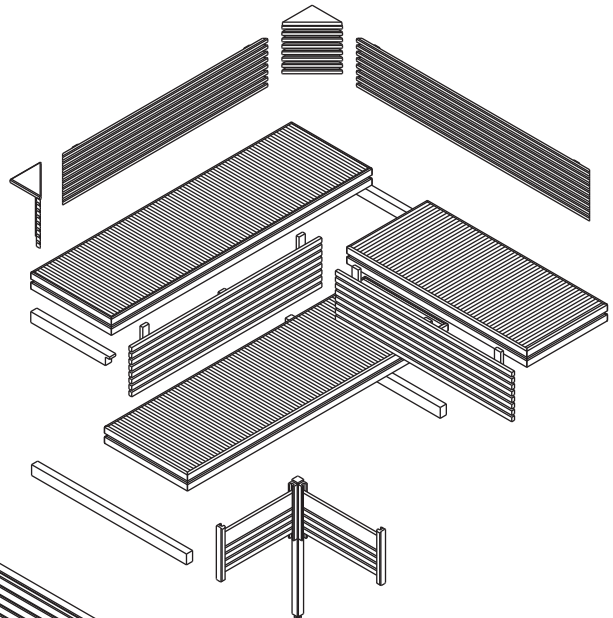
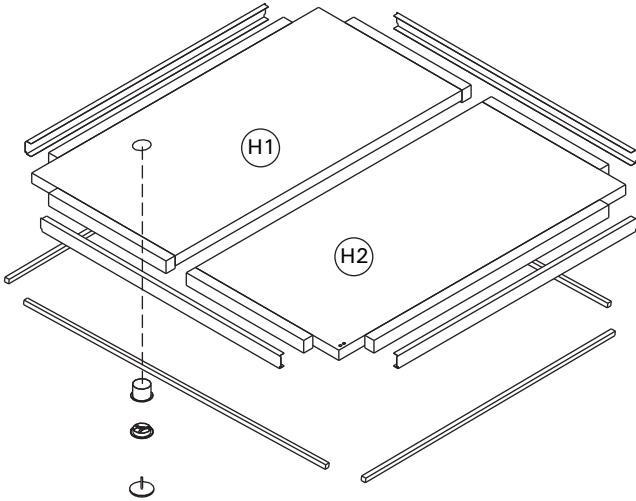
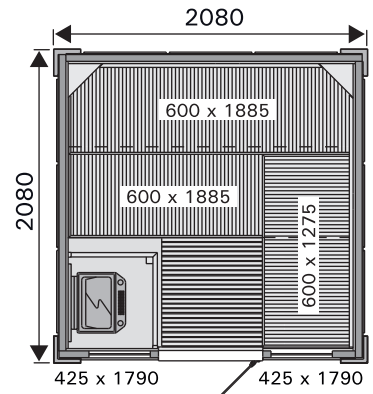
EN Assembly Instructions for Sauna



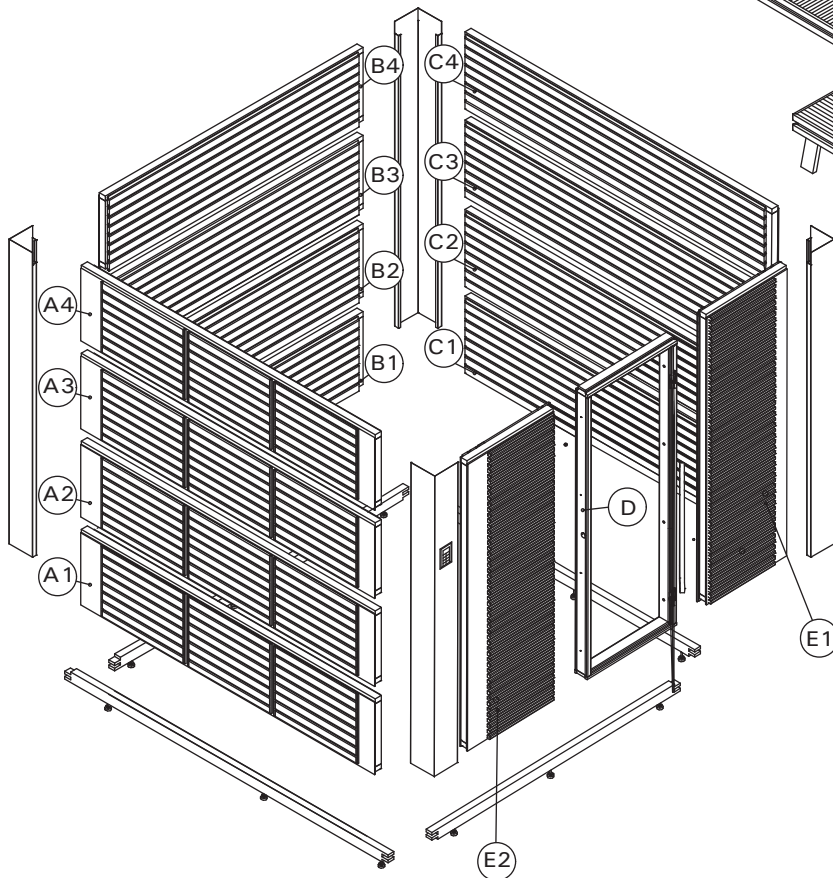
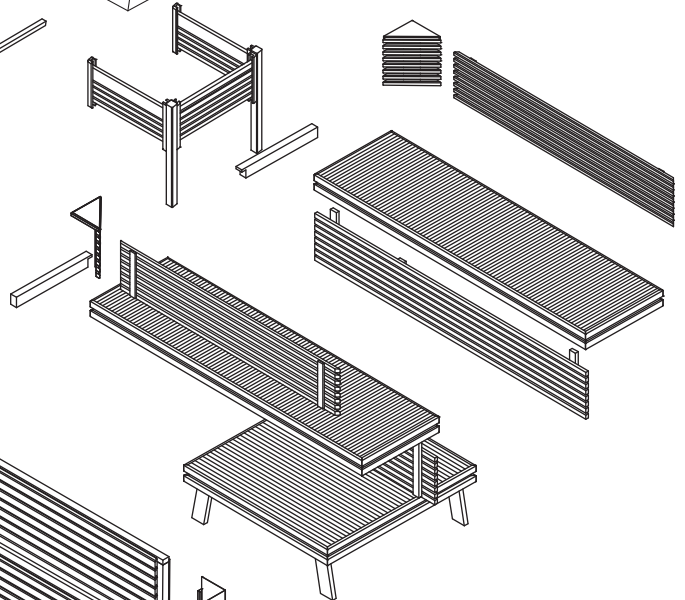
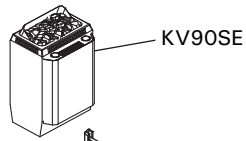
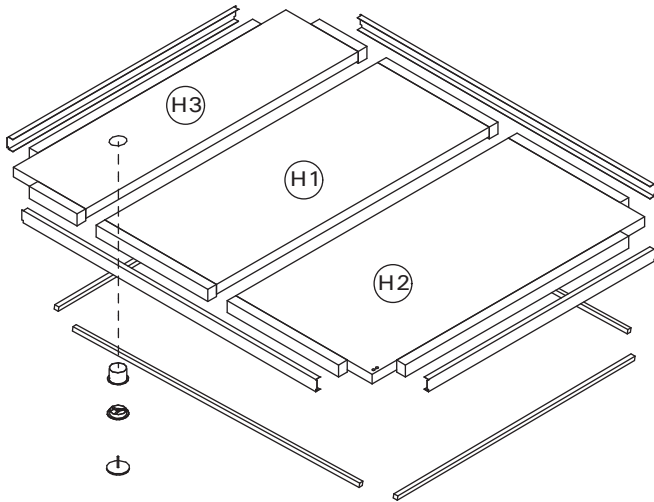
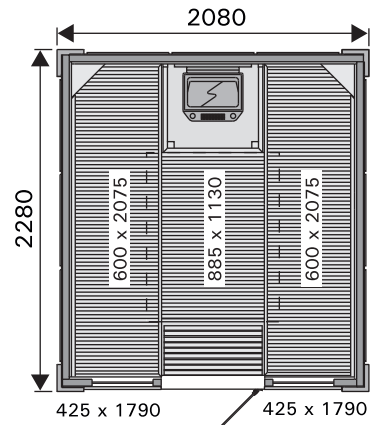
S2118RC



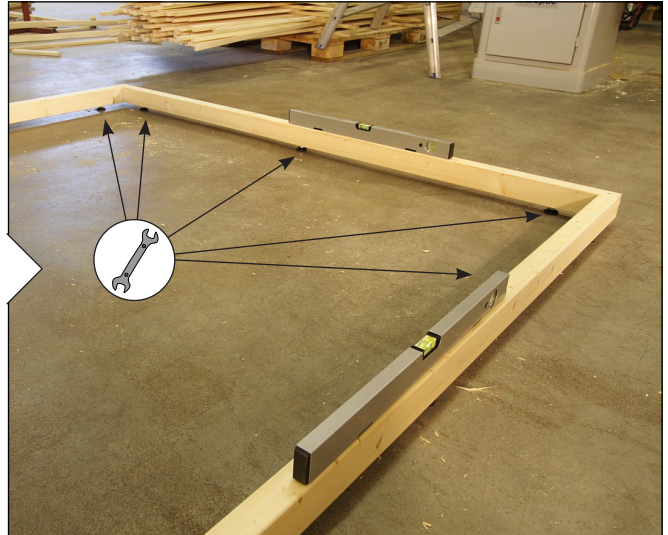
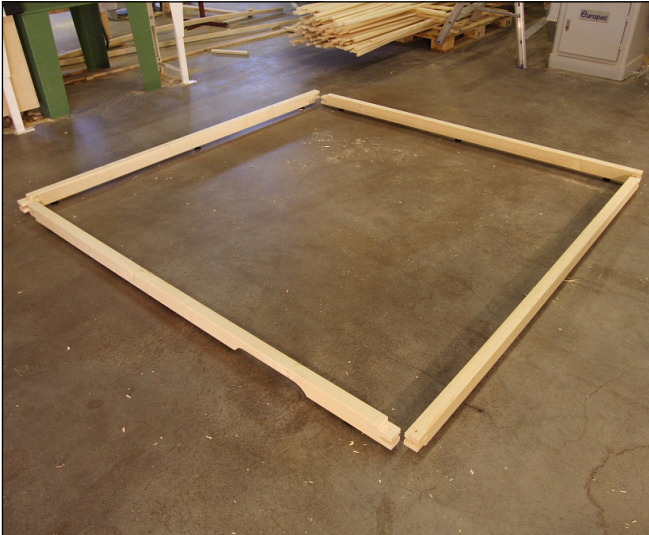
S2121RC



S2123RC



1. Assemble the base frame.



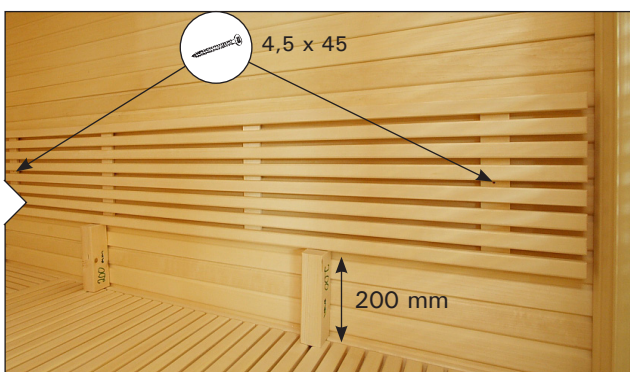
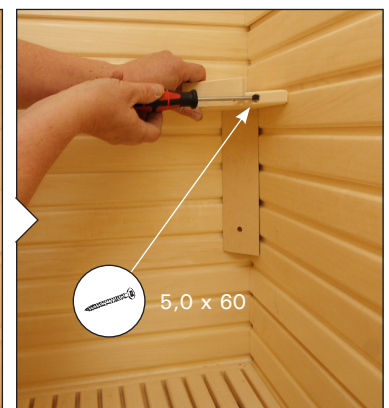
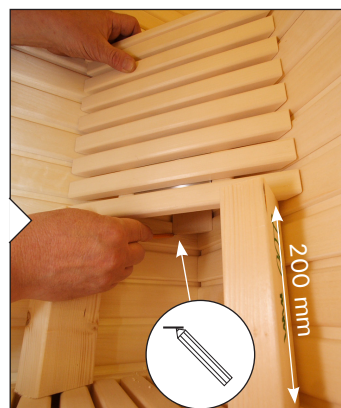
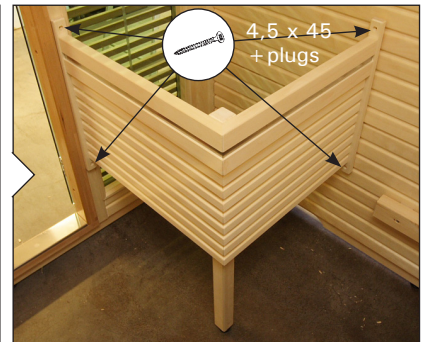
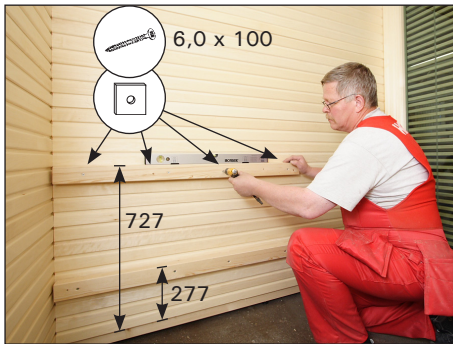
2. Assemble the walls.



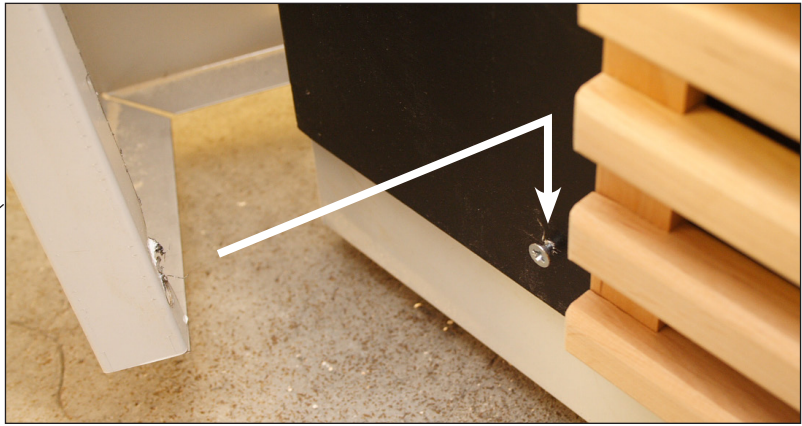
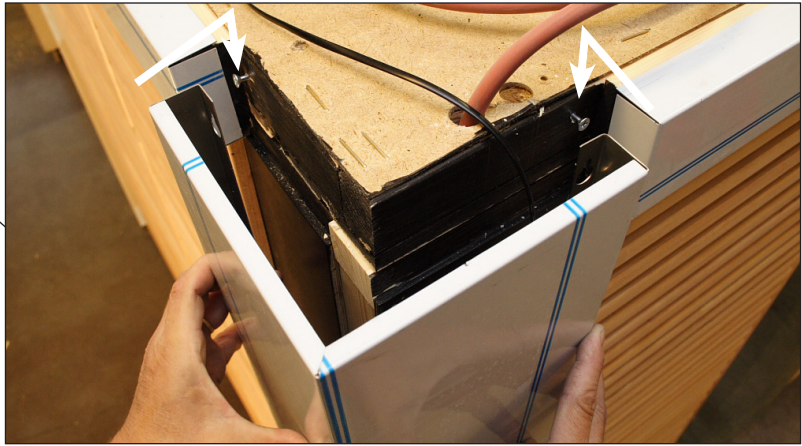
3. Assemble the ceiling elements.



4. Assemble the interior.



5. Assemble the steel parts of the exterior.



6. Install the control unit and the heater. **NB: Control unit may have changed!**



OR

